

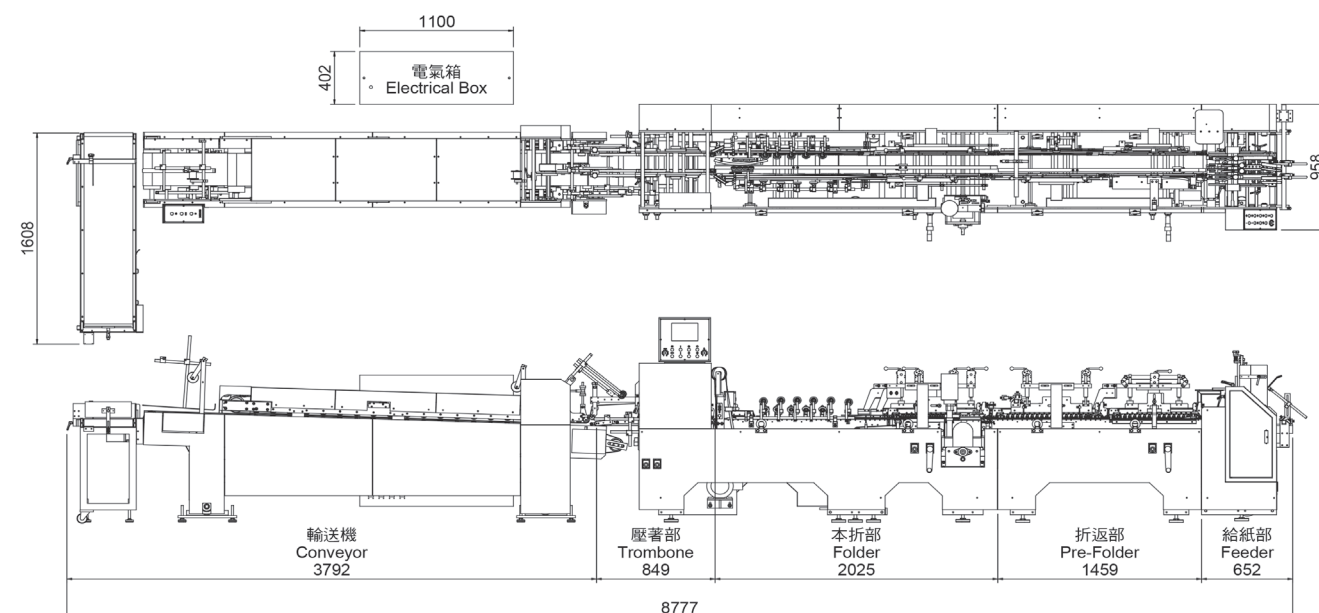
GM-300全自動微型彩盒糊盒機

GM-300 Auto. Folder Gluer (Duplex Board)

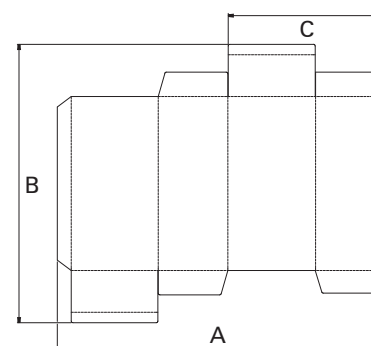
型號 Model : GM-300



外型基礎圖 Floor Plan



製作尺寸 Blank Size



邊貼盒 / Straight Line

- A. 60~300mm
- B. 35~250mm
- C. 35~145mm



機型 / Model	CUP-300
可使用紙類 / Used Materials	卡紙, 灰紙板 / Cardboard
可製作盒型 / Fundamental Pattern	一般邊貼盒 / Straight Line
使用接著劑 / Used Glue	溶質性冷劑 / Emulsion Type
最高皮帶速度 / Max. Belt Speed	20~250M/min.
總功率 / Total Power	9KW
體積 / Dimension	12.66M(L) × 0.96M(W)
重量 / Weight	3 Tons

(規格僅供參考，如有變動恕不另行通知 The specification is subject to change for improvement without previous notice.)



譽邦實業有限公司
PAKTEK INDUSTRIAL CO., LTD.

327001 桃園市新屋區上青埔58之9號
No. 58-9, Shangqingpu, Xinwu Dist.,
Taoyuan City 327, Taiwan
Tel: +886-2-22783208 Fax: +886-2-22783819
http://www.paktek.com.tw
E-mail: paktek@paktek.com.tw



昆山裕邦機械有限公司
BENEFIT MACHINERY CO., LTD.

中國江蘇省昆山市張浦鎮橫貫路278號
No. 278, Heng Guan Jing Road, Zhang Pu,
Kun Shan, Jiang Su, China
Tel: +86-512-57456100 Fax: +86-512-57456108
http://www.paktek.cn
E-mail: paktek@paktek.cn



GM-300全自動微型彩盒糊盒機

GM-300 Auto. Folder Gluer (Duplex Board)

型號 Model : GM-300

設備介紹 Equipment Introduction

GM-300全自動彩盒、紙板糊盒機，主要為微型彩盒紙板而設計；專做小型邊貼盒，可以快速且穩定的生產，每一部件都會為了迅速方便而設計，使操作人員工作效率大幅提升。

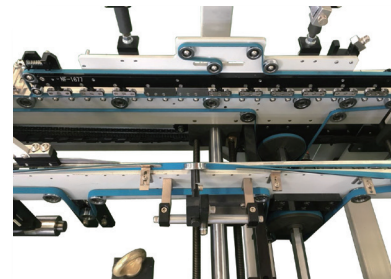
GM-300 Auto. Folder Gluer is specially designed for making baby boxes of straight-line design at high-speed production. Each component is designed for quick and easy operation to improve operators' efficiency greatly.

機器特性 Main Features



給紙部 Feeder Section

配有特殊給紙刀與振動馬達；使紙張高速且穩定，打孔皮帶與吸風裝置；平整出紙不歪斜。
Equipped with special-made feeding knives and vibration motor to ensure high feeding stability. With the support of Suction and Perforated Belts for correct feeding without skewness.



折返部 Pre-Folder Section

預折裝置在高速運轉時，能保持折線明確穩定，利於配合後續的自動包裝設備流水線作業。
It makes sure the correct creasing lines at high-speed production which is very helpful for automatic packing procedure later on.



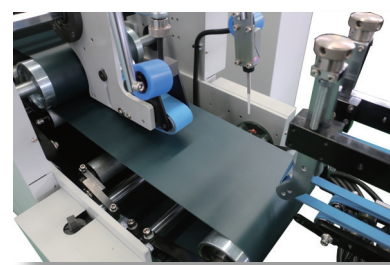
本折部 Final-Folder Section

左右折帶可獨立調速，省時省力易於操作。
The speed of left and right folding belts is adjustable independently for convenient and fast operation.



壓著部 Trombone Section

可延伸式壓桿設計；依據盒型不同進行調整，生產時，不論速度快慢，均可自動追蹤定位。
The extendable Pressing Bar is adjustable according to various designs of boxes. Regardless of slow or high-speed production, it can automatically track the position.



輸送部 Pressing Conveyor Section

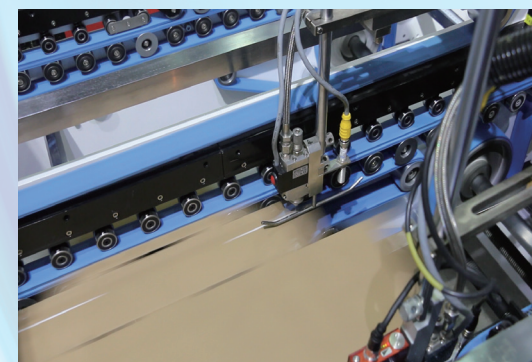
加壓輸送機操作迅速便捷，確實給壓不彈開，電子感應自動調整輸送機速度來配合主機運轉速率。
Fast and convenient adjustment to offer excellent pressure without re-opening issues. Electrical sensor control to automatically adjust the delivery speed working with the main machine.



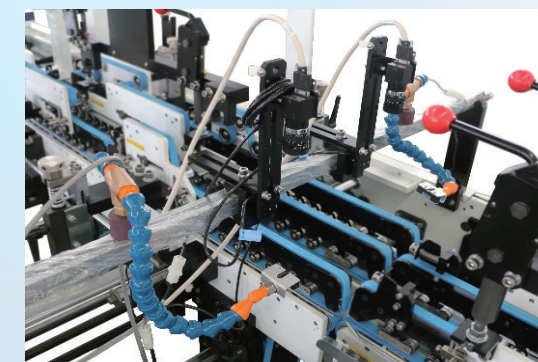
遠端遙控器 Wireless Remote Controller

採遠端無線遙控功能操作，所有的功能皆能在遙控器上實現。
By Wireless Remote Controller, all the required function can be achieved on it.

選購配件 Optional



自動噴膠系統
Auto. Glue Injection System



影像檢測系統
Quality Assurance System



CE安全規格
CE Certificate

可運用包裝商品類型

Packaging Product Examples



微型紙盒
Staple Box



橡皮擦盒
Eraser Box

